

Model
GR11 VCO

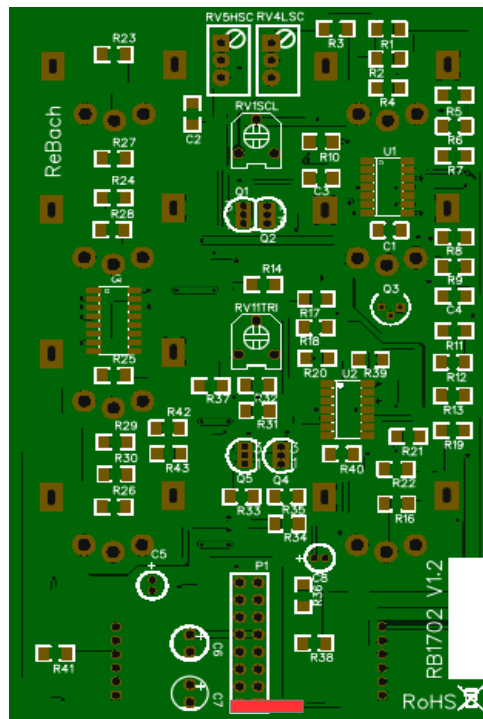
Description
Eurorack voltage controlled oscillator

Installation:

- Switch off the power supply before installing the module
- Only install the module in a compatible Eurorack housing with a compatible power supply
- Connect the power cable to the module as shown below
- Check the power supply of the rack and ensure the correct -12V (negative 12V) position.
connect the power cable with the red band on the -12V side (usually below)
- Secure the module in the rack using the supplied screws
- Switch the rack back on again and connect the module to the desired other modules

Specification:

- Power: Voltage +12V / -12V
- Current: PLM +10mA / -10mA
- HP18 (91.30mm. H128.5mm) Depth: 29mm (excl knobs and Ribbon cable)
- Respect a warm-up time of at least 5 minutes



Connect the power cable with the red band facing to the bottom of the module (rear view)

Do not use the device in places: exposed to extreme temperatures or direct sunlight; near a heating; use in rain; wet room such as bathrooms or on wet floors; vapor or smoke.
Protect children so that they can not be injured. keep packaging material away from children. Switch off the unit if it reacts strangely (please contact your ReBach dealer for further information). Do not repair the device yourself. Only use the device with compatible peripherals.

No rights can be deducted from this document. Specified specifications may differ from the actual product.